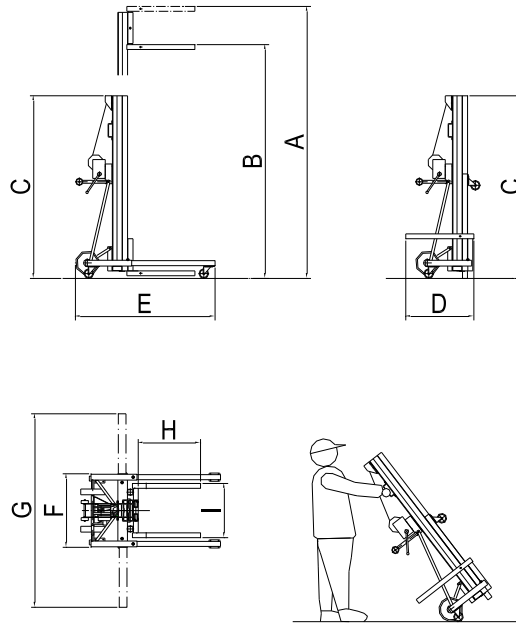


ALU-Material-Lifts LMC

As at 1 November, 2018



Features \ Type		280	300	380	450	500*	600*	620*
Capacity	kg	250	250	250	250	250	250	250
A	Max. lifting height with load fork in top position	mm	2732	3304	3918	4725	5073	6192
B	Max. lifting height with load fork in bottom position	mm	2347	2919	3533	4340	4688	5807
	Min. lifting height with load fork in top position	mm	455	475	477	480	475	490
	Min. lifting height with load fork in bottom position	mm	83	90	90	97	95	110
	Height front parts	mm	180	180	180	180	180	180
H	Length load fork	mm	650	650	650	650	650	650
I	Width load fork	mm	560	560	560	560	560	560
F	Chassis width	mm	760	760	760	760	760	760
E	Chassis length	mm	1470	1470	1470	1470	1590	1730
G	Width with lateral outriggers	mm	1420	1420	1420	1420	1420	1420
C	Mast height	mm	1550	1886	1600	1886	1635	1915
F	Width in transport position	mm	760	760	760	760	760	760
D	Length in transport position	mm	720	720	720	720	720	780
	Deadweight including standard accessories assembled to the lift, without lateral outriggers	kg	98	103	114	121	134	145
	Deadweight including standard accessories assembled to the lift and lateral outriggers	kg	-	-	-	-	139	157

Dimensions and technical data subject to modifications and amendments!

* Lateral outriggers with outrigger bracket assembled to the lift as standard accessories

