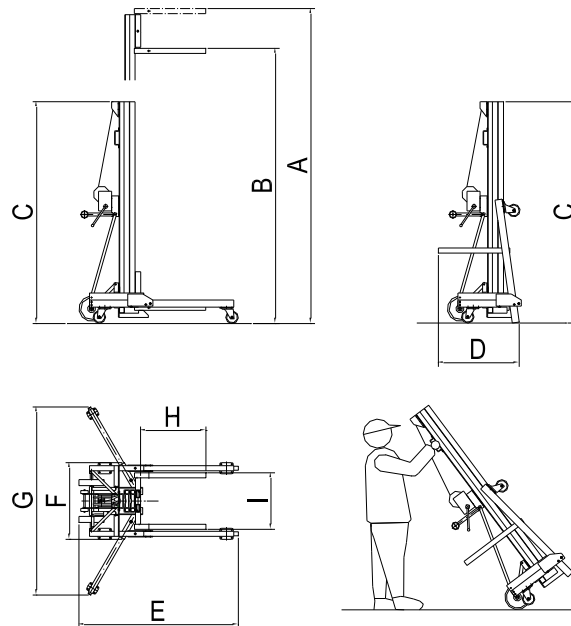


ALU-Material-Lifts LMX

As at 1 November, 2018



	Features \ Type		500*
	Capacity	kg	500
A	Max. lifting height with load fork in top position	mm	4800
B	Max. lifting height with load fork in bottom position	mm	4350
H	Length load fork	mm	650
I	Width load fork	mm	560
F	Chassis width	mm	760
E	Chassis length	mm	1610
G	Width with lateral outriggers	mm	1920
C	Mast height	mm	1970
F	Width in transport position	mm	760
D	Length in transport position	mm	765
	Deadweight including standard accessories assembled to the lift, without lateral outriggers	kg	205
	Deadweight including standard accessories assembled to the lift and lateral outriggers	kg	218

Dimensions and technical data subject to modifications and amendments!

* Lateral outriggers with outrigger bracket assembled to the lift as standard accessories